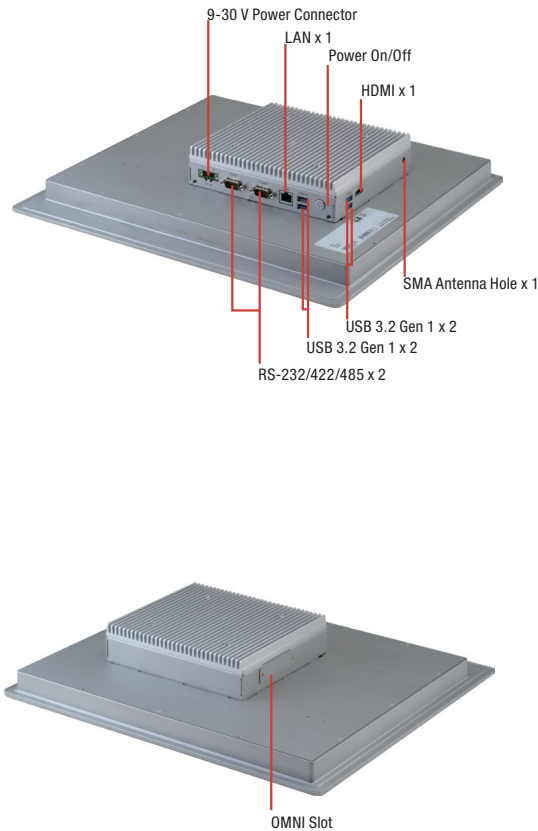


OMNI-3175-SKU

17" Modular HMI Panel PC with 6th Generation Intel® Core™ i5-6300U/C-3955U Processor



Features

- 17" (1280 x 1024) TFT LCD Display
- Intel® 6th Generation i5-6300U/C-3955U Processor
- P-CAP or Resistive Touch Screen Support
- Aluminum Design
- IP65 Compliant Front Bezel
- Fanless Operation
- Easily Expandable I/O by AAEON OMNI I/O Modules

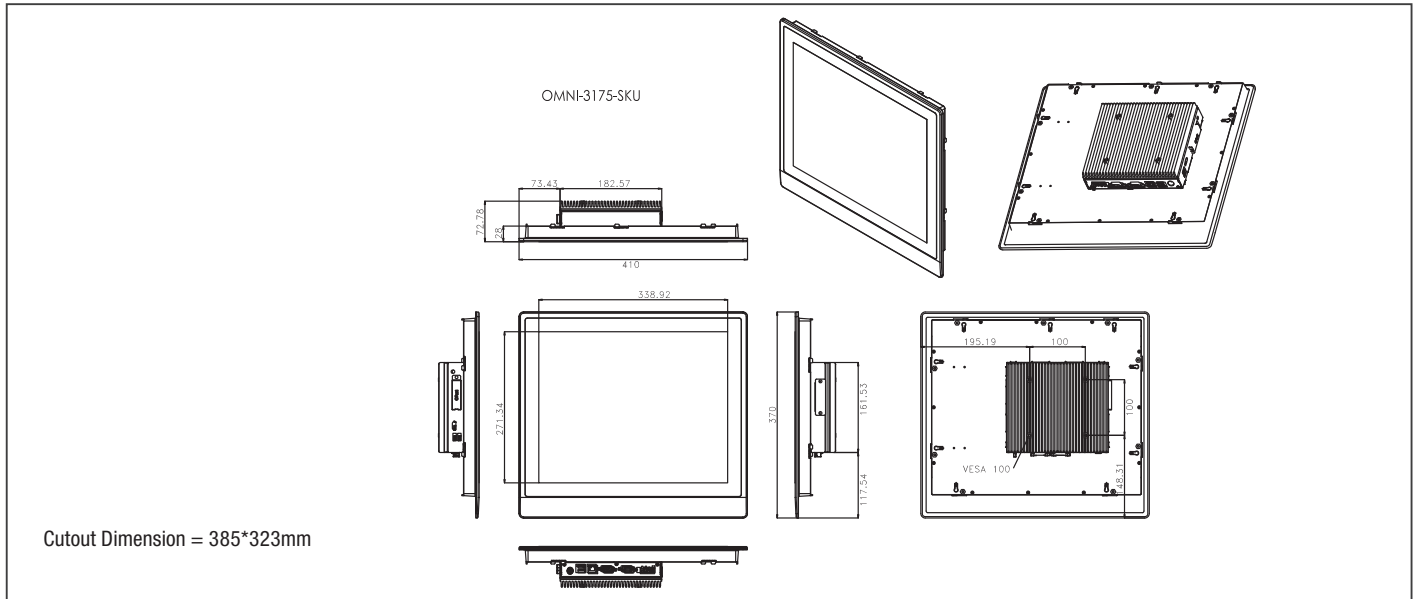


Specifications

| System | |
|-------------------------|--|
| Processor | Intel® i5-6300U processor, 2.4 GHz Intel® Celeron® 3955U processor, 2.0 GHz |
| System Memory | 260-pin DDR4 SODIMM x 1, up to 16 GB |
| LCD/CRT Controller | Integrated in processor |
| Ethernet | Intel® I211, 10/100/1000 Base-TX x 1 |
| I/O Port | USB 3.2 Gen 1 Type A x 4 SMA Antenna hole x 1 HDMI x 1 DB-9 Type RS-232/422/485 x 2 RJ-45 Type 10/100/1000 Base-TX x 1 3-pin terminal block x1 for 9~30 Vdc power input LED Power on/off switch x1 (Power on = Orange, Power off =N/A) |
| Storage Disk Drive | 2.5" SATA HDD bay x 1 |
| Expansion Slot | Full Size Mini card x 1 SIM card x 1 OMNI I/O connector x 1 |
| OS support | Windows® 8.1, Windows® 10 (64 bit), Linux kernel 2.6.x or higher |
| Mechanical | |
| Construction | Aluminum design (IP65 Front Frame) |
| Mounting | VESA 100 / Panel Mount |
| Dimension | 16.14" x 14.57" x 2.32" (410mm x 370mm x 59mm) |
| Carton Dimension | 20.55" x 10.31" x 19.29" (522mm x 262mm x 490mm) |
| Gross Weight | 16.28 lb (7.4 kg) |
| Environmental | |
| Operating Temperature | -4°F ~ 131°F (-20°C ~ 55°C) with 0.5 m/s airflow (Industrial Grade HDD) |
| Storage Temperature | -4°F ~ 158°F (-20°C ~ 70°C) |
| Storage Humidity | 90% @40°C; non-condensing |
| Vibration | 1 Grms/ 5~ 500Hz/ operation – with HDD |
| Shock | 15 G peak acceleration (11 msec. duration) – with HDD |
| EMC | CE/FCC class A |
| Power Supply | |
| DC input | DC 9 (min.) ~ 30 (max.) V w/3-pin terminal block, ATX Power function |
| LCD | |
| Display Type | 17" TFT-LCD, LED |
| Max Resolution | 1280 (H) x 1024 (V) |
| Max. Colors | 16.7M colors (RGB 6-bits + Hi-FRC data) |
| Luminance | 350 cd/m ² |
| Viewing Angle | 170 (H), 160 (V) |
| Back Light | LED |
| Back Light MTBF (Hours) | 50,000 |
| Touchscreen | |
| Type | P-CAP/ 5-wire resistive |
| Light Transmission | P-CAP (90% ± 3%), 5-wire Resistive (80% ± 3%) |

Dimension

Unit: mm



Cutout Dimension = 385*323mm

Ordering Information

| | Part Number | Display Type | Max Resolution | Luminance | View Angle | CPU | LAN | USB 3.2 Gen 1 | RS-232/422/485 | Storage | RAM | Display | Internal Expansion | Mounting | Power | Operating Temp. | Touch | OMNI I/O Module Support |
|-------------|--------------------------|--------------|----------------|-----------------------|-----------------|------------------------------|-----|---------------|----------------|-------------------|------------------|----------|---------------------------|-----------------------|----------|-------------------------|----------------------|-------------------------|
| Panel PC | OMNI-3175HTT-SKU-A1-1111 | 17" TFT LCD | 1280 x 1024 | 350 cd/m ² | 170°(H) 160°(V) | Intel® i5-6300U, 2.4 GHz | 1 | 4 | 2 | 2.5" SATA HDD x 1 | DDR4, up to 16GB | HDMI x 1 | Mini-Card x 1 (Full Size) | VESA 100/ Panel mount | DC 9-30V | -20°C-55°C with airflow | 5-wire Resistive | Yes |
| | OMNI-3175HTT-SKU-A2-1111 | 17" TFT LCD | 1280 x 1024 | 350 cd/m ² | 170°(H) 160°(V) | Intel® Celeron® 3955U, 2 GHz | 1 | 4 | 2 | 2.5" SATA HDD x 1 | DDR4, up to 16GB | HDMI x 1 | Mini-Card x 1 (Full Size) | VESA 100/ Panel mount | DC 9-30V | -20°C-55°C with airflow | 5-wire Resistive | Yes |
| | OMNI-3175HTT-SKU-A3-1110 | 17" TFT LCD | 1280 x 1024 | 350 cd/m ² | 170°(H) 160°(V) | Intel® i5-6300U, 2.4 GHz | 1 | 4 | 2 | 2.5" SATA HDD x 1 | DDR4, up to 16GB | HDMI x 1 | Mini-Card x 1 (Full Size) | VESA 100/ Panel mount | DC 9-30V | -20°C-55°C with airflow | Projected capacitive | Yes |
| | OMNI-3175HTT-SKU-A4-1110 | 17" TFT LCD | 1280 x 1024 | 350 cd/m ² | 170°(H) 160°(V) | Intel® Celeron® 3955U, 2 GHz | 1 | 4 | 2 | 2.5" SATA HDD x 1 | DDR4, up to 16GB | HDMI x 1 | Mini-Card x 1 (Full Size) | VESA 100/ Panel mount | DC 9-30V | -20°C-55°C with airflow | Projected capacitive | Yes |
| Panel Kit | OMNI-317DHTT-KIT-A1-1012 | 17" TFT LCD | 1280 x 1024 | 350 cd/m ² | 170°(H) 160°(V) | — | — | — | — | — | — | — | — | — | — | -20°C-55°C with airflow | 5-wire Resistive | No |
| | OMNI-317DHTT-KIT-A2-1011 | 17" TFT LCD | 1280 x 1024 | 350 cd/m ² | 170°(H) 160°(V) | — | — | — | — | — | — | — | — | — | — | -20°C-55°C with airflow | Projected capacitive | No |
| CPU BOX Kit | OMNI-SKU-KIT-A1-1110 | — | — | — | — | Intel® i5-6300U, 2.4 GHz | 1 | 4 | 2 | 2.5" SATA HDD x 1 | DDR4, up to 16GB | HDMI x 1 | Mini-Card x 1 (Full Size) | VESA 100/ Panel mount | DC 9-30V | -20°C-55°C with airflow | — | Yes |
| | OMNI-SKU-KIT-A2-1110 | — | — | — | — | Intel® Celeron® 3955U, 2 GHz | 1 | 4 | 2 | 2.5" SATA HDD x 1 | DDR4, up to 16GB | HDMI x 1 | Mini-Card x 1 (Full Size) | VESA 100/ Panel mount | DC 9-30V | -20°C-55°C with airflow | — | Yes |
| | OMNI-SKU-KIT-A3-1110 | — | — | — | — | Intel® i7-6600U Processor | 1 | 4 | 2 | 2.5" SATA HDD x 1 | DDR4, up to 16GB | HDMI x 1 | Mini-Card x 1 (Full Size) | Wall mount | DC 9-30V | -20°C-55°C with airflow | — | Yes |
| | OMNI-SKU-KIT-A4-1110 | — | — | — | — | Intel® i3-6100U Processor | 1 | 4 | 2 | 2.5" SATA HDD x 1 | DDR4, up to 16GB | HDMI x 1 | Mini-Card x 1 (Full Size) | Wall mount | DC 9-30V | -20°C-55°C with airflow | — | Yes |

Note: 1. AAEON OMNI Modular display kit only workable for OMNI-BOX Kit 2. RAM not included

Packing List

- Phoenix Power Connector
- OMNI-3175-SKU

Optional Accessories

- AP-OT9789LA1000
LCD Monitor Stand 230mm, LA-100
- 1702031802
Power Cord (US Type)
- 1702031803
Power Cord (European Type)
- 170203180E
Power Cord (Japanese Type)
- 1255900849
12V 84W Power Adapter w/ 3pin Terminal Block

OMNI Module (with AAEON Interface)

- 9741215501
Mini Card x 2, SIM x 2 Module
- 9741215502
Dual LAN Module
- 9741215506
DIO Module
- 9741215508
Audio Module
- 9741215510
HMS Kit (Europe Limitation)
- 9741215512
Wifi 802.11/b/g/n Module
- 9741215513
RS-485/422/232 x 2 Module
- 9741215515
USB / COM / LAN Module
- 9741215516
RS-485/422/232 x 4 Module
- 9741215517
Isolation RS-485/422/232 x 4 Module
- 9741215518
RS-485/422/232 x 2, DIO x 16 Module

Wide Temperature DRAM

- AP-DR968D4004G9
4GB Wide Temperature DRAM (-40°C ~ 85°C)
 - AP-DR968D4008GA
8GB Wide Temperature DRAM (-40°C ~ 85°C)
 - AP-DR968D4016G7
16GB Wide Temperature DRAM (-40°C ~ 85°C)
- ***Users should select the wide temperature DRAM above and use wide temperature storage devices if the OMNI panel pc is to be operated at over 40°C.