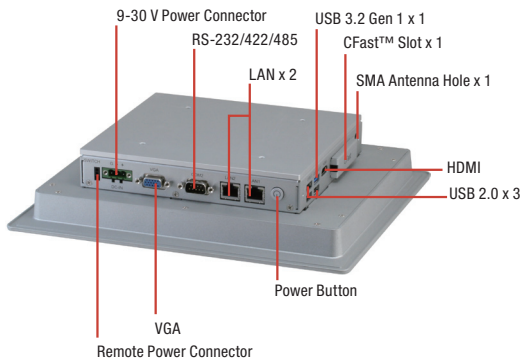
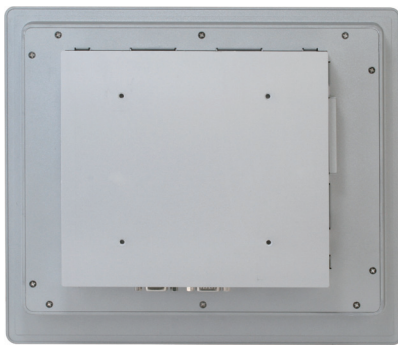


# OMNI-3105-BT

10.4" Modular HMI Panel PC with Intel® Celeron® J1900/ N2807 Processor



## Features

- 10.4" (800 x 600) TFT LCD Display
- Intel® N2807/J1900 Processor
- P-CAP or Resistive Touch Screen Support
- Aluminum Design
- IP65 Compliant Front Bezel
- Fanless Operation

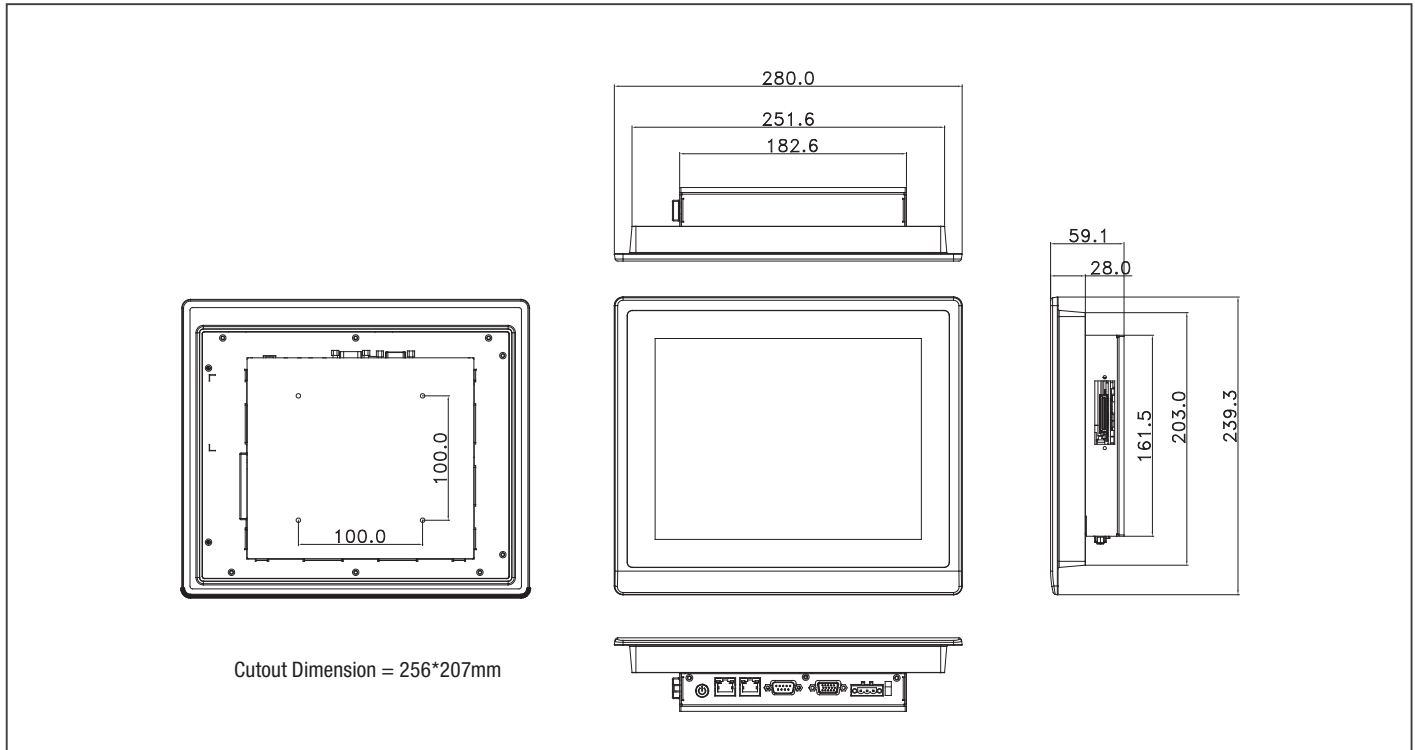


## Specifications

System	
Processor	Intel® N2807 processor, 1.58 GHz, Intel® Celeron® J1900 processor, 2 GHz
System Memory	204-pin DDR3L 1333MHz SODIMM x 1, up to 8 GB, (J1900) 204-pin DDR3L 1333MHz SODIMM x 1, up to 4 GB, (N2807)
LCD/CRT Controller	Integrated in processor
Ethernet	Intel® I211, 10/100/1000 Base-TX x 2
I/O Port	USB 2.0 Type A x 3 USB 3.2 Gen 1 Type A x 1 SMA Antenna hole x 1 HDMI x 1 CFast™ x 1 DB-9 x 1 for RS-232/422/485 RJ-45 x 2 for GbE LAN DB-15 x 1 for VGA 3-pin terminal block x1 for 9~30 Vdc power input LED Power on/off switch x 1 (Power on = Orange, Power off =N/A)
Storage Disk Drive	CFast™ x 1, 2.5" SATA HDD bay x 1
Expansion Slot	Full Size Mini card x 2, SIM card x 1, OMNI I/O connector x 1
OS support	Windows® 7, Windows® 8, Windows® 10, Linux Kernel 2.6.x or higher
Mechanical	
Construction	Aluminum design (IP65 Front Frame)
Mounting	VESA 100 / Panel Mount
Dimension	11.02" x 9.41" x 2.32" (280 mm x 239 mm x 59 mm)
Carton Dimension	16.34" x 7.05" x 15.39" (415mm x 179mm x 391mm)
Gross Weight	7.92 lb (3.6 kg)
Environmental	
Operating Temperature	14°F ~ 131°F (-10°C ~ 55°C) (J1900), 14°F ~ 140°F (-10°C ~ 60°C) (N2807) with 0.5 m/s airflow (CF & HDD)
Storage Temperature	-4°F ~ 158°F (-20°C ~ 70°C)
Storage Humidity	90% @40°C; non-condensing
Vibration	1 Grms/ 5~ 500Hz/ operation – with HDD
Shock	15 G peak acceleration (11 msec. duration) – with HDD
EMC	CE/FCC class A
Power Supply	
DC input	DC 9 (min.) ~ 30 (max.) V w/ 3-pin terminal block, ATX Power function
LCD	
Display Type	10.4" TFT-LCD, LED
Max Resolution	800 (H) x 600 (V)
Max. Colors	16.2M colors
Luminance	230 cd/m <sup>2</sup>
Viewing Angle	120° (H), 100° (V)
Back Light	LED
Back Light MTBF (Hours)	50,000
Touchscreen	
Type	P-CAP/ 5-wire resistive
Light Transmission	P-CAP (90% ± 3%), 5-wire Resistive (80% ± 3%)

## Dimension

Unit: mm



## Ordering Information

	Part Number	Display Type	Max Resolution	Luminance	View Angle	CPU	LAN	USB 3.2 Gen 1	USB 2.0	RS-232/422/485	Storage	RAM	Display	Internal Expansion	Mounting	Power	Operating Temp.	Touch	OMNI I/O Module Support
Panel PC	OMNI-3105HTT-BT-A1-1011	10.4" TFT LCD	800 x 600	230 cd/m <sup>2</sup>	120°(H) 100°(V)	Intel® Celeron® J1900, 2 GHz	2	1	3	1	CFast™ x 1 2.5" SATA HDD x 1	DDR3L, up to 8 GB	VGA x 1 HDMI x 1	Mini-Card x 2 (Full Size)	VESA 100/ Panel mount	DC 9-30V	-10°C-55°C with airflow	5-wire Resistive	No
	OMNI-3105HTT-BT-A2-1011	10.4" TFT LCD	800 x 600	230 cd/m <sup>2</sup>	120°(H) 100°(V)	Intel® N2807, 1.58 GHz	2	1	3	1	CFast™ x 1 2.5" SATA HDD x 1	DDR3L, up to 4 GB	VGA x 1 HDMI x 1		VESA 100/ Panel mount	DC 9-30V	-10°C-60°C with airflow	5-wire Resistive	No
	OMNI-3105HTT-BT-A3-1011	10.4" TFT LCD	800 x 600	230 cd/m <sup>2</sup>	120°(H) 100°(V)	Intel® Celeron® J1900, 2 GHz	2	1	3	1	CFast™ x 1 2.5" SATA HDD x 1	DDR3L, up to 8 GB	VGA x 1 HDMI x 1		VESA 100/ Panel mount	DC 9-30V	-10°C-55°C with airflow	Projected capacitive	No
	OMNI-3105HTT-BT-A4-1011	10.4" TFT LCD	800 x 600	230 cd/m <sup>2</sup>	120°(H) 100°(V)	Intel® N2807, 1.58 GHz	2	1	3	1	CFast™ x 1 2.5" SATA HDD x 1	DDR3L, up to 4 GB	VGA x 1 HDMI x 1		VESA 100/ Panel mount	DC 9-30V	-10°C-60°C with airflow	Projected capacitive	No
Panel Kit	OMNI-310DHTT-KIT-A1-1011	10.4" TFT LCD	800 x 600	230 cd/m <sup>2</sup>	120°(H) 100°(V)	—	—	—	—	—	—	—	—	—	—	—	-10°C-60°C with airflow	5-wire Resistive	No
	OMNI-310DHTT-KIT-A2-1011	10.4" TFT LCD	800 x 600	230 cd/m <sup>2</sup>	120°(H) 100°(V)	—	—	—	—	—	—	—	—	—	—	—	-10°C-60°C with airflow	Projected capacitive	No
CPU Box Kit	OMNI-BT-KIT-A1-1010	—	—	—	—	Intel® Celeron® J1900, 2 GHz	2	1	3	1	CFast™ x 1 2.5" SATA HDD x 1	DDR3L, up to 8 GB	VGA x 1 HDMI x 1	Mini-Card x 2 (Full Size)	VESA 100/ Panel mount	DC 9-30V	-10°C-55°C with airflow	—	Yes
	OMNI-BT-KIT-A2-1010	—	—	—	—	Intel® N2807, 1.58 GHz	2	1	3	1	CFast™ x 1 2.5" SATA HDD x 1	DDR3L, up to 4 GB	VGA x 1 HDMI x 1	Mini-Card x 2 (Full Size)	VESA 100/ Panel mount	DC 9-30V	-10°C-60°C with airflow	—	Yes

Note: \* RAM not included

\* Due to size limitation, OMNI Expansion Modules only support the panel size starting from 15" (excluding 10.4", 12.1") by OMNI slot interface.

## Packing List

- Phoenix Power Connector
- OMNI-3105-BT

## Wide Temperature DRAM

- **9761215500**  
2GB Wide Temperature DRAM (-40°C ~ 95°C)
- **9761215501**  
4GB Wide Temperature DRAM (-40°C ~ 95°C)

- **9761215502**  
8GB Wide Temperature DRAM (-40°C ~ 95°C)
- \*\*Users should select the wide temperature DRAM above and use wide temperature storage devices if the OMNI panel pc is to be operated at over 40°C

## Optional Accessories

- **AP-0T9789LA1000**  
LCD Monitor Stand 230mm, LA-100
- **1702031802**  
Power Cord (US Type)
- **1702031803**  
Power Cord (European Type)
- **170203180E**  
Power Cord (Japanese Type)
- **1255900849**  
12V 84W Power Adapter w/ 3pin Terminal Block
- **1700021500**  
Remote Switch Cable, 150cm