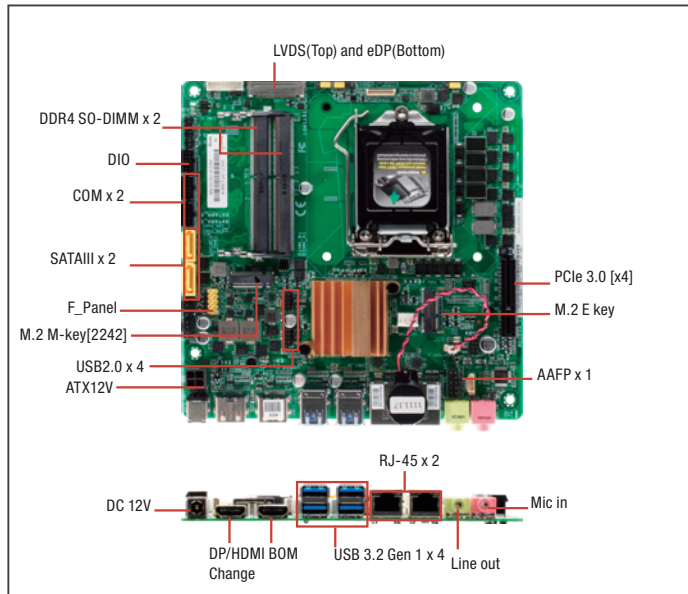


Mini-ITX with 8th/9th Generation Intel® Core™ LGA1151 Socket Processor, Max. 65W TDPs, 12V DC Power input



## Specifications

System	
Processor	8th/9th Gen. Intel® Core™ LGA 1151 socket Processor (formerly Coffee Lake-S), Max. 65W TDPs
Chipset	Intel® H310 Express Chipset
Memory	DDR4 2666 MHz SODIMM x 2, Up to 32GB, Non-ECC, Un-buffered Memory, Dual channel memory architecture
I/O Chipset	NCT6793D
Ethernet	Realtek® PCIe Gb LAN RTL8111H
Audio	Realtek® ALC887 with Amp.
TPM	NPCT650ABBYX TPM2.0 (default: No)
Expansion Slots	PCIe3.0 [x4] x 1 M.2 E-key(22 x 30 mm) x 1 for Wireless-wifi module ( PCIe+USB)
BIOS	128Mbit Flash ROM, AMI BIOS
H/W Monitor	Temperature Monitor on CPU/Chassis, Voltage Monitor on Vcore/5V/12V, Fan Monitor on CPU/Chassis
WatchDog Timer	1~255 steps by software program
Smart Fan Control	CPU Fan/ Chassis Fan
Wake On LAN/ PXE	Yes (WOL / PXE)
Power State	S3, S4, S5
Graphics	
Graphics Chipset	Intel® UHD Graphics
Graphics Multi Display	HDMI1+HDMI2, HDMI1+DP2, DP1+HDMI2, HDMI1+LVDS, HDMI2+LVDS, HDMI1+eDP, HDMI2+eDP, DP1+DP2, DP1+LVDS, DP2+LVDS, DP1+eDP, DP2+eDP
VGA	—
DVI	—
HDMI	Up to 4096 x 2304@24Hz (HDMI 1.4b)
Display Port	Up to 4096 x 2304@60Hz
LVDS	Up to 1920 x 1200 @ 60 Hz, dual-channel 18/24 bit (via CH 7511)
eDP	UP to 4096 x 2304 @ 60Hz
Backlight Control	Voltage/PWM
Environment & Power & ME	
Battery	Lithium battery
Power Requirement	12V DC
Operation Temperature	32°F ~140°F (0°C ~ 60°C)
Storage Temperature	-40°F ~185°F (-40°C ~85°C)
Operation Humidity	0%~90%RH, non-condensing
Certificate	CE & FCC
Form Factor	Mini-ITX: 6.7" x 6.7" (170 mm x 170 mm)
Weight	1.1 lb (0.5 kg)
MTBF (Hours)	246,210

## Features

- 8th/9th Gen. Intel® Core™ LGA1151 Processor
- DDR4 SODIMM x 2, Up to 32 GB
- Two Independent Display: DP, HDMI, eDP, LVDS
- M.2 Slot (M-key, 2242) x 1, M.2 Slot (E-key) x 1
- PCIe [x4] x 1
- Low Profile
- 12V DC Power Input
- USB 3.2 Gen 1 x 4, USB 2.0 x 5



### Rear Panel I/O Ports

USB	USB 3.2 Gen 1 (5 Gbps) x 4
Display I/O	HDMI x 2, DP x 1 + HDMI x 1 (Optional), DP x 2 (Optional)
Audio I/O	Mic-in x 1, Line-out x 1
LAN I/O	LAN (RJ-45) port x 2
Serial Port	—
PS/2 Port	—
Others	DC Jack

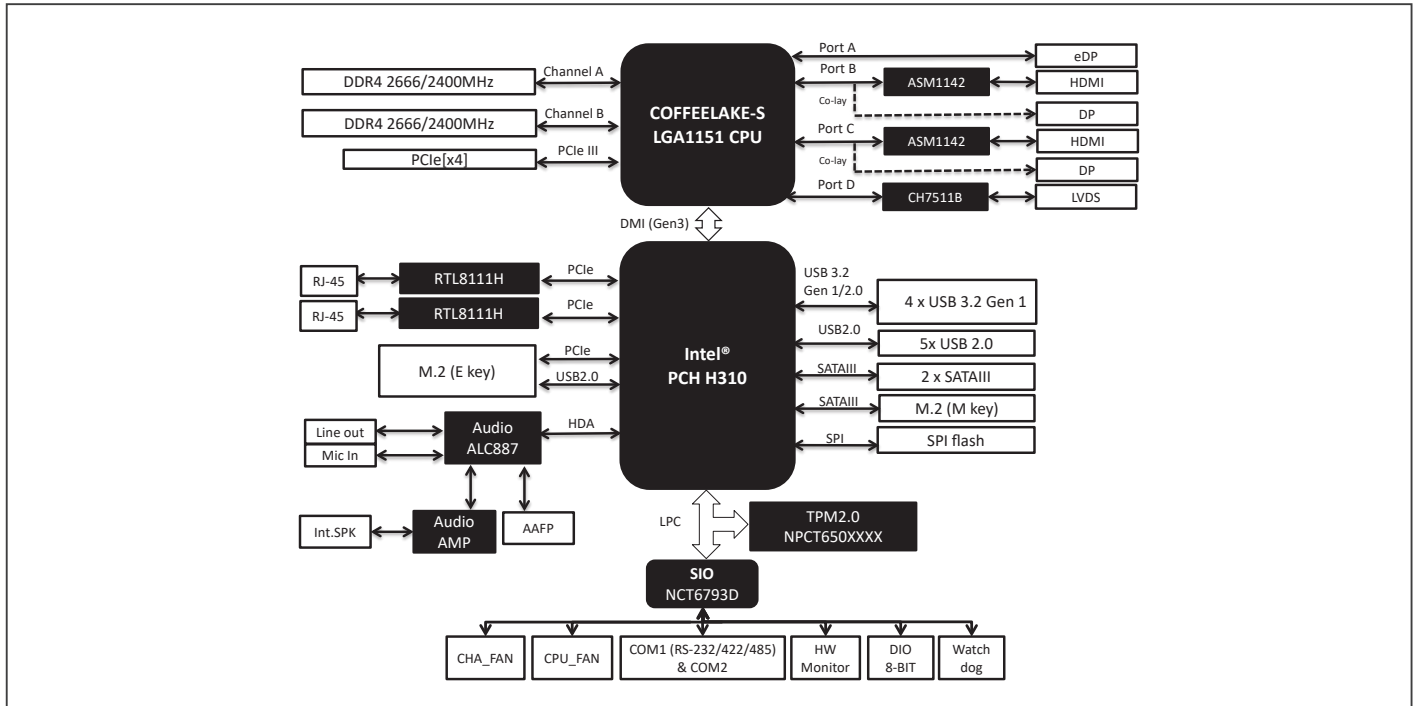
### Internal I/O Connectors

Storage	SATA3.0 (6.0Gb/s) x 2 M.2 M-key (SATA) (22 x 42mm) x 1
USB	USB 2.0 (2 x 5-pin, 2.00mm) x 3 ports support additional 5 USB.
Display I/O	—
Audio I/O	AAFFP x 1, Speaker header x 1
Serial Port	Boxer header for COM (RS-232/422/485) x 1 Boxer header for COM (RS-232) x 1
PS/2 Port	—
Parallel Port	—
DIO	Digital I/O box header x 1
FAN	4-pin CPU Fan connector x 1, 4-pin Chassis Fan connector x 1
Power	—
Others	Front Panel connector x 1, Chassis Intrusion x 1, Buzzer onboard x 1, CMOS jumper x 1
OS	
OS Support	Windows® 10 64-bit Linux Ubuntu 18.04 LTS

## Packing List

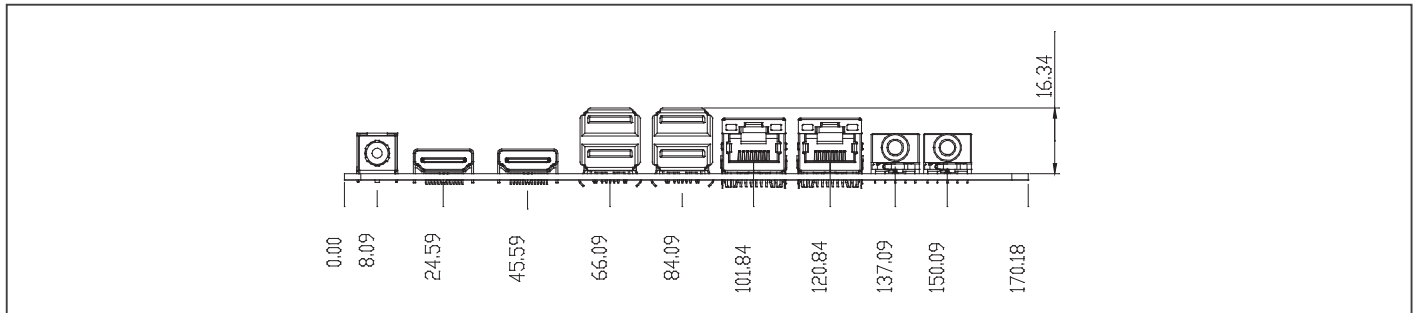
- SATA Cable
- SATA Power Cable
- I/O Shield
- MIX-H310D1

### Block Diagram



### Dimension

Unit: mm



### Ordering Information

Part number	CPU	RAM	Fan/Fanless	Display	Storage	LVDS	LAN	USB	RS-232	RS-232/422/485	Expansion Slot	Power	TPM	Temp.
MIX-H310D1-A10-HH	Socket	SODIMM x 2	Fan	Dual HDMI, eDP, LVDS	SATA3 x 2, M.2 (M-key; SATA)	Dual Channel 18/24 bit	GbE x 2	USB 2.0 x 5 USB 3.2 Gen 1 x 4	1	1	PCIe3.0(x4) x 1, M.2 (E-Key) x 1	12V DC	—	32°F ~140°F (0°C ~ 60°C)

### Optional Accessories

Part Number	Description
1759200172	(TF)CPU Cooler Fan, LGA 1156 socket, 4P, 12V, 2-Ball Bearing, Dynatron, K785, (2U cooler)
175921156B	(TF)CPU Cooler Fan, LGA 1156 socket, 12V, 4P, 2Ball (Tray), Dreamer, DSA-00273
COOLER-65W-01	CPU Cooler, LGA 1156, 12V, 65W, 4P, Kingcooler, 0571-1463R
1709100201	USB 2.0 Cable (10P, 200mm, p=2.00mm, w/bracket)
1700100491	USB 2.0 Cable (2 x 5P, 490mm, p=2.00mm)
1709050201	USB 2.0 Cable (5P, 220mm, p=2.00mm)
1701100206	COM Cable (200mm, p=2.00mm)
1702150300	SATA Power Cable (4P, 300mm p=2.54mm)
1702151201	SATA Power Cable (4P, 120mm, p=2.5mm)