

Datasheet

2.5" PATA SSD

1MG3-P series

- 2.5" PATA solution for industrial field
- iSMART disk health monitoring
- Intelligent error recovery system
- Excellent data transfer speed
- Enhanced power cycling management



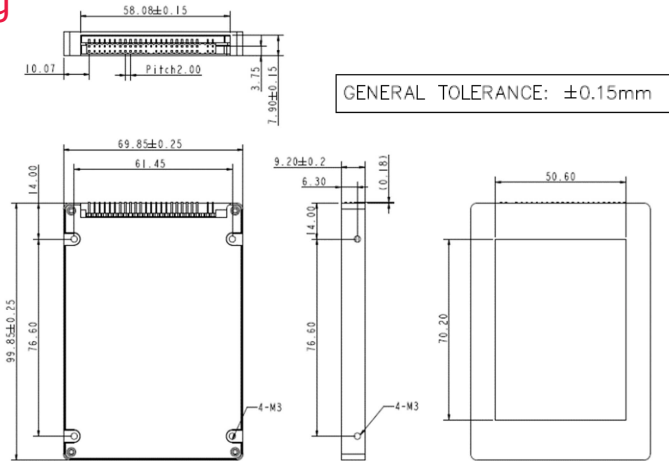
Introduction

Innodisk 2.5" PATA SSD 1MG3-P complies with ATA 7 standard, and supports Ultra DMA (0-5) and PIO (0-4) transfer modes, which delivers good performance and reliability making it the ideal solution for a variety of applications, including embedded system, industrial computing, and enterprise field. 2.5" PATA SSD 1MG3-P not only performs unmatched performance, but also designed with Innodisk owned technical knowhow to ensure the data integrity and highest levels of reliability.

2.5" PATA SSD

1MG3-P series

Drawing



Specifications

Interface	PATA
Flash Type	MLC
Flash P/E Cycle Limit	3,000
Capacity	8GB~512GB
Max. Channels	4
Sequential R/W (MB/sec, max.)	90 / 100
Max. Power Consumption	3W (5V x 600 mA)
Thermal Sensor	WT Only
External DRAM Buffer	√
H/W Write Protect	-
Pin7 Power	-
ATA Security	√
S.M.A.R.T.	√
Dimension (WxLxH)	69.85 X 99.85 X 9.20 mm
Environment	Vibration: 20G @7~2000Hz Shock: 1500G @ 0.5ms Storage Temperature: -55°C ~ +95°C MTBF: 3 million hours

Ordering Information

Operation Temp.	8GB	16GB	32GB	64GB	128GB	256GB	512GB
Standard Grade (0°C ~ +70°C)	DGP25-08GD70BC1SC	DGP25-16GD70BC1SC	DGP25-32GD70BC1DC	DGP25-64GD70BC1QC	DGP25-A28D70BC1QC	DGP25-B56D70BC1QC	DGP25-C12D70BC1QC
Industrial Grade (-40°C ~ +85°C)	DGP25-08GD70BW1SC	DGP25-16GD70BW1SC	DGP25-32GD70BW1DC	DGP25-64GD70BW1QC	DGP25-A28D70BW1QC	DGP25-B56D70BW1QC	DGP25-C12D70BW1QC

Contact us for more information about the 2.5" PATA SSD 1MG3-P

Innodisk is a service-driven provider of industrial embedded flash and DRAM storage products and technologies, with a focus on the industrial/embedded, aerospace and defense, and cloud computing industries.

Headquarters (Taiwan)

5F., No.237, Sec. 1, Datong Rd., Xizhi Dist., New Taipei City 221, Taiwan (R.O.C.)
Tel: +886-2-77033000
Email: sales@innodisk.com

Branch Offices:

USA
usasales@innodisk.com
+1-510-770-9421
Europe
eusales@innodisk.com
+31-040-282-1818
Japan
jpsales@innodisk.com
+81-3-6667-0161
China
sales_cn@innodisk.com
+86-755-21673689
www.innodisk.com

© 2016 Innodisk Corporation.
All right reserved. Specifications are subject to change without prior notice.

20160201

innodisk

www.innodisk.com