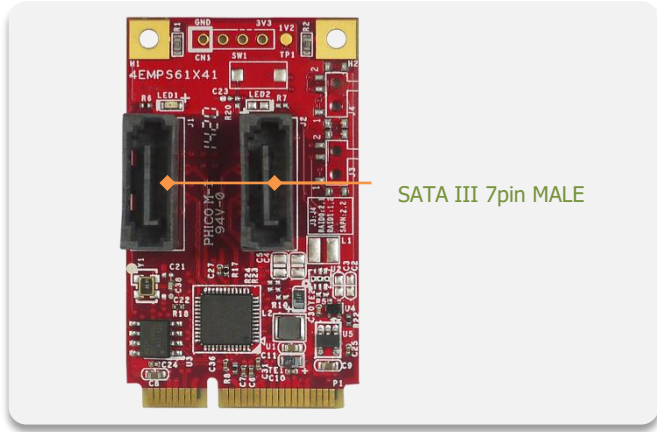


EMPS-3201

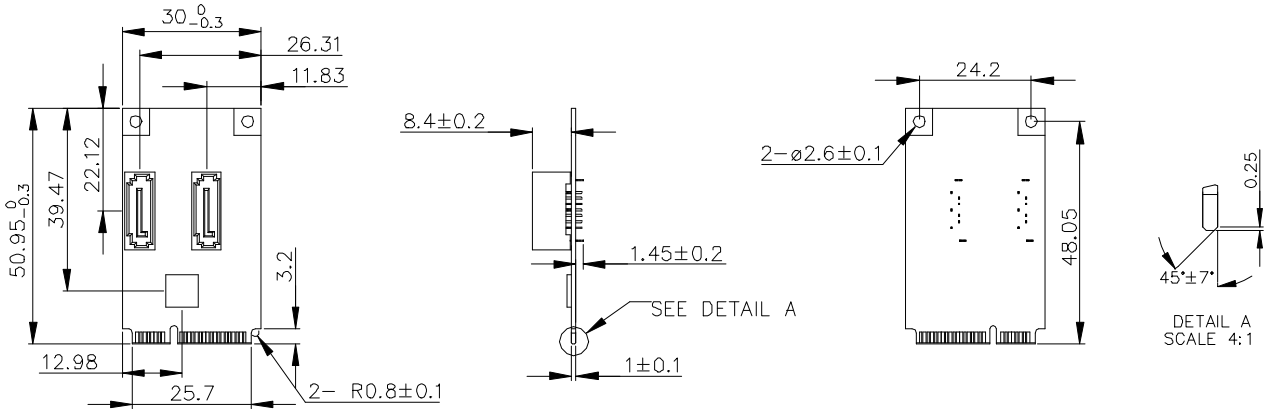
mPCIe to dual SATA III Module



Features

- mPCIe to dual SATA III ports.
- Low power consumption.
- Supports AHCI, Port-Multiplier.
- Supports Native Command Queuing
- 30μ golden finger, 3 years warranty
- Industrial design, manufactured in innodisk Taiwan

Mechanical Drawing



Specifications

Headquarters (Taiwan)

5F., No. 237, Sec. 1, Datong Rd.,
Xizhi Dist., New Taipei City 221,
Taiwan
Tel: +886-2-77033000
Email: sales@innodisk.com

Branch Offices:

USA

usasales@innodisk.com
+1-510-770-9421

Europe

eusales@innodisk.com
+31-40-3045-400

Japan

jpsales@innodisk.com
+81-3-6667-0161

China

sales_cn@innodisk.com
+86-755-2167-3689

www.innodisk.com

© 2020 Innodisk Corporation.
All right reserved. Specifications
are subject to change without
prior notice.

April 1, 2020

Form-Factor	mPCIe
Input I/F	PCI Express 2.0
Output I/F	SATA III
Output Connector	SATA 7pin x 2
TDP	1W (3.3V x 320mA)
Dimension (WxLxH)	30 x 50.9 x 10.85 mm, Weight: 8.5g
Temperature	Operation: 0°C ~ +70°C Storage: -55°C ~ +95°C
Environment	Vibration: 5G @7~2000Hz, Shock: 50G @ 0.5ms
Notes	

Order information

EMPS-3201-C1
mPCIe to dual SATA III Module