

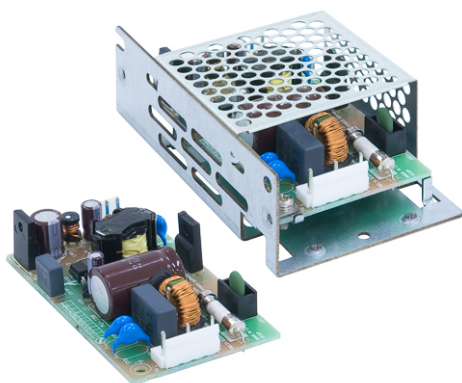
# PJ Open Frame Power Supply

## 5V 15W 1 Phase / PJ-5V15W□NA

# PJ

### Highlights & Features

- Universal AC input voltage range
- Low Inrush Current / Low Leakage Current
- High efficiency
- Conforms to harmonic current IEC/EN 61000-3-2, Class A
- Conformal coating on PCBA to protect against chemical and dust pollutants
- Versatile configuration options: Open Frame, L Frame, Enclosed
- Long life capacitors



### Safety Standards



CB Certified for worldwide use

<b>Model Number:</b>	PJ-5V15W□NA
<b>Unit Weight:</b>	<b>Open Frame:</b> 0.06 kg (0.13 lb) <b>Enclosed:</b> 0.15 kg (0.33 lb)
<b>Dimensions (L x W x D):</b>	<b>Open Frame:</b> 87.5 x 50 x 22 mm (3.44 x 1.97 x 0.86 inch) <b>Enclosed:</b> 107.5 x 60 x 32 mm (4.23 x 2.36 x 1.25 inch)

### General Description

The PJ series of Open Frame Power Supply comes with universal AC input at 85Vac to 264Vac. Other features include low leakage / Inrush current and conformal coating on the PCBAs to provide protection against dust and chemical pollutants. All products fulfill Harmonic Current Emission according to IEC/EN 61000-3-2. The PJ series is certified for EMC standards according to EN 55011 for industrial, scientific and medical (ISM) radio-frequency equipment and EN 55032 for Industrial Technology Equipment (ITE) radio-frequency equipment and EMS according to EN 55024. In addition, the detachable input and output connectors are from JST and only recognized Japanese capacitors are used.

Metal chassis and case cover are available as options for different installation preferences. The PJ series conforms to major international safety standards according to EN/UL 62368-1 standards and are fully compliant with RoHS Directive for environmental protection.

### Model Information

#### PJ Open Frame Power Supply

Model Number	Input Voltage Range	Rated Output Voltage	Rated Output Current
PJ-5V15W□NA	85-264Vac	5Vdc	3.00A

### Model Numbering

				CC Code	
PJ –	5V	15W	□	N	A
PJ Series	Output Voltage	Output Power	Product Type B - Open Frame L - L Frame C - Enclosed	Remote ON/OFF Function N - No Remote ON/OFF	Delta Standard

# PJ Open Frame Power Supply

## 5V 15W 1 Phase / PJ-5V15W□NA

### Specifications

#### Input Ratings / Characteristics

Nominal Input Voltage	100-240Vac
Input Voltage Range	85-264Vac (Please refer to the Output De-rating VS. Input Voltage graph)
Nominal Input Frequency	50-60Hz
Input Frequency Range	47-63Hz
Input Current	0.35A typ. @ 100Vac, 0.20A typ. @ 200Vac
Efficiency at 100% Load	78.0% typ. @ 100Vac, 79.5% typ. @ 200Vac
Max Inrush Current (Cold Start)	15A typ. @ 100Vac, 30A typ. @ 200Vac
Leakage Current	0.1mA @ 100Vac, 0.2mA @ 240Vac

#### Output Ratings / Characteristics

Nominal Output Voltage	5Vdc
Output Voltage Tolerance	± 1% (initial set point tolerance from factory)
Output Voltage Adjustment Range	4.5-5.5Vdc
Output Current	3.00A
Output Power	15.0W
Line Regulation	< 20mV (@ 100Vac @ 200Vac input, 100% load)
Load Regulation	< 40mV (@ 100Vac @ 200Vac input, 100% load)
Ripple (20MHz)	< 80mVpp @ 0°C to 50°C, < 140mVpp @ -10°C to 0°C
Ripple Noise (20MHz)	< 120mVpp @ 0°C to 50°C, < 160mVpp @ -10°C to 0°C
Start-up Time	200ms typ. @ 100Vac (100% load)
Hold-up Time	20ms typ. @ 100Vac (100% load)
Dynamic Response (Overshoot & Undershoot O/P Voltage)	± 5% @ 0-50% load and 50-100% load
Start-up with Capacitive Loads	8,000µF Max

### Mechanical

Case Cover / Chassis		SGCC
Dimensions	Open Frame	87.5 x 50 x 22 mm (3.44 x 1.97 x 0.86 inch)
	Enclosed	107.5 x 60 x 32 mm (4.23 x 2.36 x 1.25 inch)
Unit Weight	Open Frame	0.06 kg (0.13 lb)
	Enclosed	0.15 kg (0.33 lb)
Cooling System		Convection
Terminal	Input	JST B3P5-VH (LF)(SN)
	Output	JST B2P-VH (LF)(SN)
Wire		AWG 22-18

# PJ Open Frame Power Supply

## 5V 15W 1 Phase / PJ-5V15W□NA

### Environment

Surrounding Air Temperature	Operating	-10°C to +70°C
	Storage	-25°C to +75°C
Power De-rating	Mounting Orientation A	> 50°C de-rate power by 2.5% / °C < 90Vac de-rate power by 2% / V
Operating Humidity		5 to 95% RH (Non-Condensing)
Operating Altitude		0 to 5,000 Meters (16,400 ft.)
Shock Test (Non-Operating)		IEC 60068-2-27, Half Sine Wave: 50G for a duration of 11ms, 3 shocks for each 3 directions
Vibration (Operating)		IEC 60068-2-6, Sine Wave: 10Hz to 55Hz @ 19.6m/S <sup>2</sup> (2G peak); 10 min per cycle, 60 min per axis for all X, Y, Z direction
Pollution Degree		2

### Protections

Overvoltage	5.75-7.00V, Latch Mode
Overload / Overcurrent	> 105% of rated load current, Hiccup Mode, Non-Latching (Auto-Recovery)
Over Temperature	Latch Mode
Short Circuit	Hiccup Mode, Non-Latching (Auto-Recovery when the fault is removed)
Protection Against Shock	Class I with PE* connection

\*PE: Primary Earth

### Reliability Data

MTBF	> 200,000 hrs. as per JEITA RCR-9102B
Expected Cap Life Time	10 years (115Vac, 50% load @ 40°C)

### Safety Standards / Directives

Electrical Safety	TUV Bauart UL/cUL recognized  CB scheme	EN 60950-1, EN 62368-1 UL 60950-1 and CSA C22.2 No. 60950-1 (File No. E131881) UL 62368-1 and CSA C22.2 No. 62368-1 (File No. E131881) IEC 60950-1, IEC 62368-1
CE		In conformance with EMC Directive 2014/30/EU and Low Voltage Directive 2014/35/EU
Galvanic Isolation	Input to Output	3.0KVac
	Input to Ground	2.0KVac
	Output to Ground	0.5KVac

# PJ Open Frame Power Supply

## 5V 15W 1 Phase / PJ-5V15W□NA

### EMC

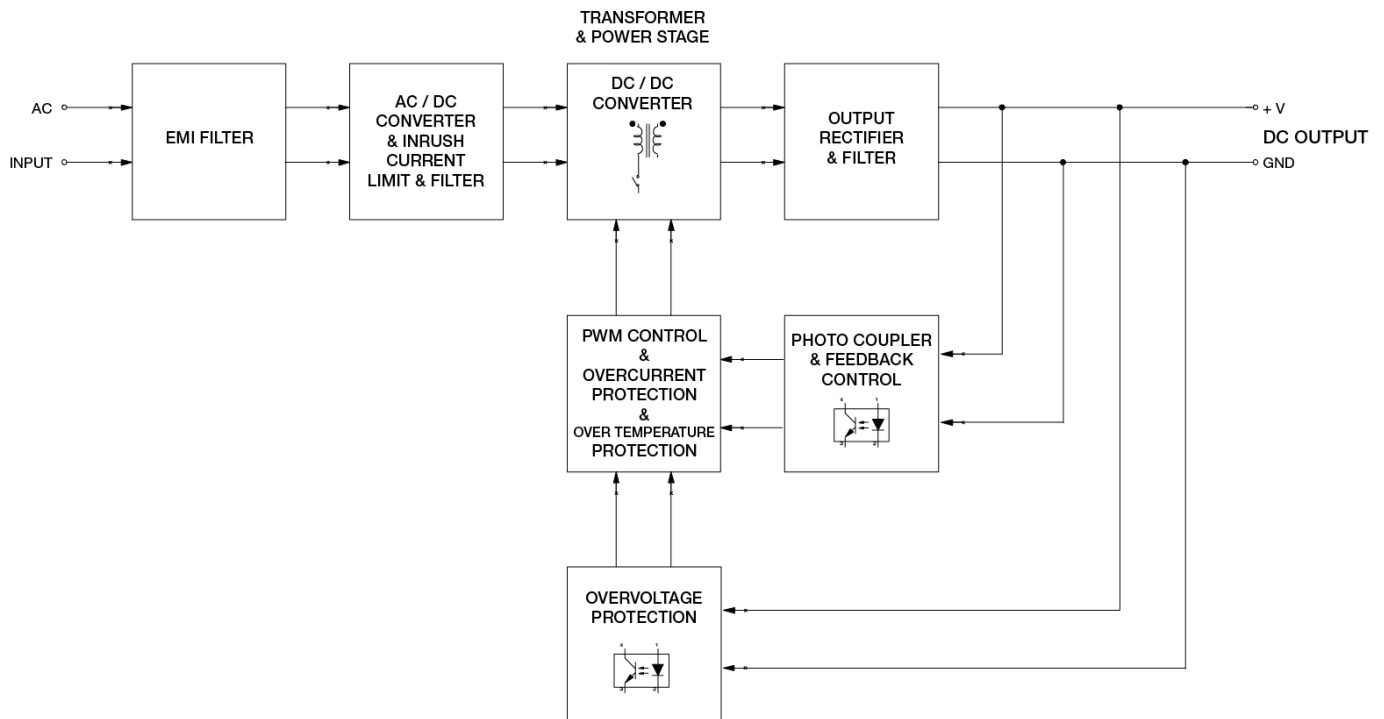
EMC / Emissions		CISPR 32, EN 55032, FCC Title 47: Class B
Immunity to		EN 55024
Electrostatic Discharge	IEC 61000-4-2	Level 4 Criteria A <sup>1)</sup> (Tested with enclosed type) Air Discharge: 15kV Contact Discharge: 8kV
Radiated Field	IEC 61000-4-3	Level 2 Criteria A <sup>1)</sup> 80MHz-1GHz, 3V/M with 1kHz tone / 80% modulation
Electrical Fast Transient / Burst	IEC 61000-4-4	Level 2 Criteria A <sup>1)</sup> 1kV
Surge	IEC 61000-4-5	Level 3 Criteria A <sup>1)</sup> Common Mode <sup>2)</sup> : 2kV Differential Mode <sup>3)</sup> : 1kV
Conducted	IEC 61000-4-6	Level 2 Criteria A <sup>1)</sup> 150kHz-80MHz, 3Vrms
Power Frequency Magnetic Fields	IEC 61000-4-8	Criteria A <sup>1)</sup> Magnetic field strength 1A/Meter
Voltage Dips	IEC 61000-4-11	100% dip; 1 cycle (20ms); Self Recoverable
Harmonic Current Emission		IEC/EN 61000-3-2, Class A
Voltage Fluctuation and Flicker		IEC/EN 61000-3-3

1) Criteria A: Normal performance within the specification limits

2) Asymmetrical: Common mode (Line to earth)

3) Symmetrical: Differential mode (Line to line)

### Block Diagram

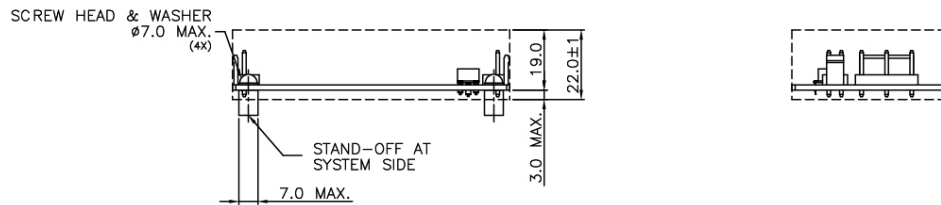
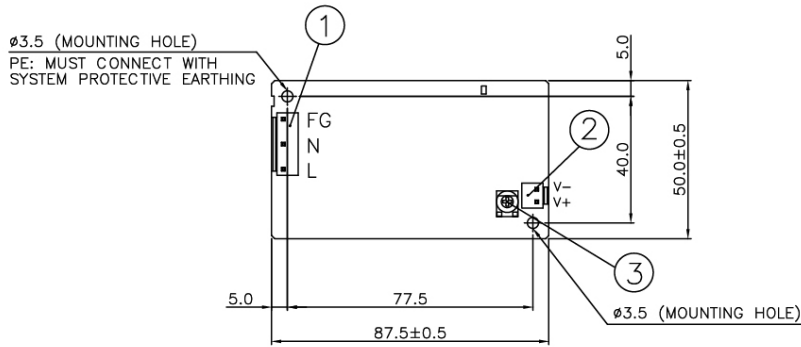


# PJ Open Frame Power Supply

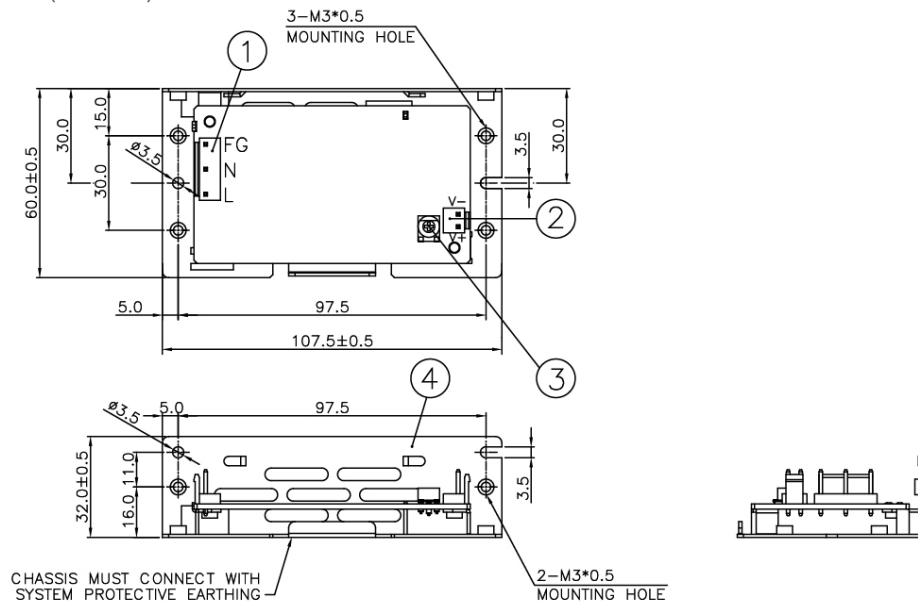
## 5V 15W 1 Phase / PJ-5V15W□NA

### Dimensions

L x W x D: 87.5 x 50 x 22 mm (Open Frame)



L x W x D: 107.5 x 60 x 32 mm (L Frame)



Item	Device Description
1	Input Connector
2	Output Connector
3	VR
4	Chassis

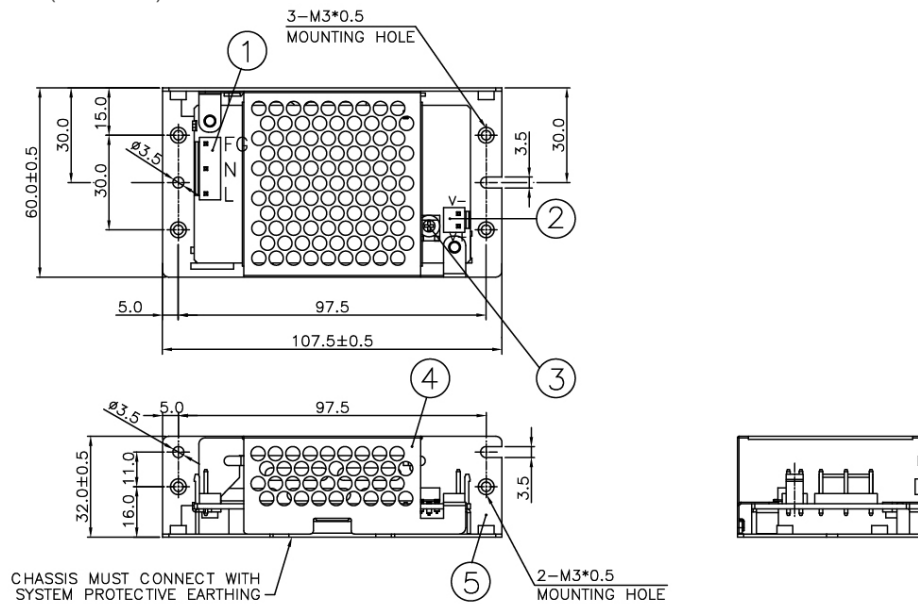
### Notes

- Dimensions are in mm
- For information I/O Connector and Housing, please refer to Table 1 (Page 6).
- For L Frame type: There are 6 threaded mounting holes and 2 normal mounting holes.
- For Open Frame type: There are 2 normal mounting holes.
- Recommended mounting torque for tightening: 4~8Kgf.cm.

# PJ Open Frame Power Supply

## 5V 15W 1 Phase / PJ-5V15W□NA

L x W x D: 107.5 x 60 x 32 mm (Enclosed)



Item	Device Description
1	Input Connector
2	Output Connector
3	VR
4	Cover
5	Chassis

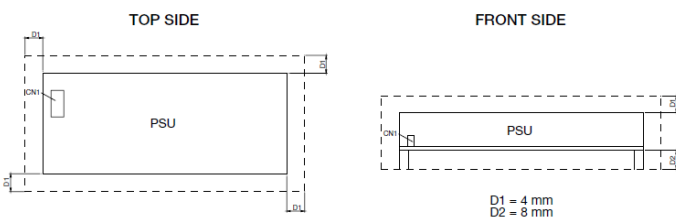
### Notes

- Dimensions are in mm
- For information on I/O Connector and Housing, please refer to Table 1 (Page 6).
- For Enclosed type: There are 6 threaded mounting holes and 2 normal mounting holes.
- Recommended mounting torque for tightening: 4~8Kgf.cm.

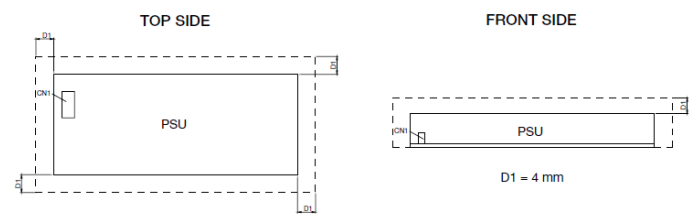
## Assembly & Installation

### Assembly Reference

#### ■ Open Frame



#### ■ L Frame / Enclosed



For safety reasons, please ensure the mounted device is kept at  $\geq 4\text{mm}$  safety distance at all sides from other components and equipments. **Please insert an insulation sheet between the system and product, if the safety distance is less than 4mm.**

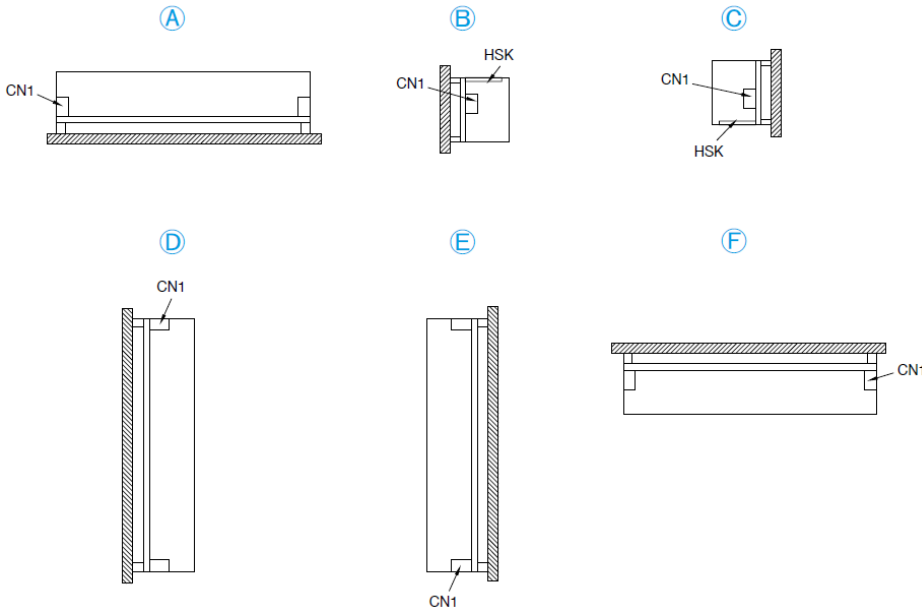
Use flexible cable (stranded or solid) of AWG No. 22-18. Please refer to Table 1 for the recommended Housing and Terminal.

Table 1	Connector (Board Mounting)	Housing	Terminal
Input (JST)	B3P5-VH(LF)(SN)	VHR-5N	SVH-21T-P1.1
Output (JST)	B2P-VH(LF)(SN)	VHR-2N	

# PJ Open Frame Power Supply

## 5V 15W 1 Phase / PJ-5V15W□NA

### Mounting Orientation



- Any excessive twisting or bending may damage the device's PCB. Please handle the device with care.
- The device is not recommended to be placed on low thermal conductive surfaces. For example, plastics.
- Prevent any foreign metal, particles or conductors from entering the device through the openings during installation. It may cause: -Electric shock; Safety hazard; Product failure.
- **The power supply must be mounted by metal screws onto a grounded metal surface. It is highly recommended that the Earth terminal on the connector be connected to the grounded metal surface.**

### Engineering Data

#### Convection

■ Open Frame / L Frame

■ Enclosed

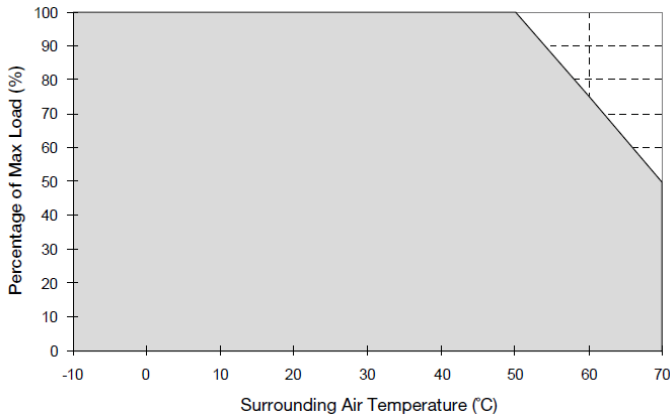


Fig. 1.1 De-rating for Mounting Orientation A to F  
 > 50°C de-rate power by 2.5% / °C

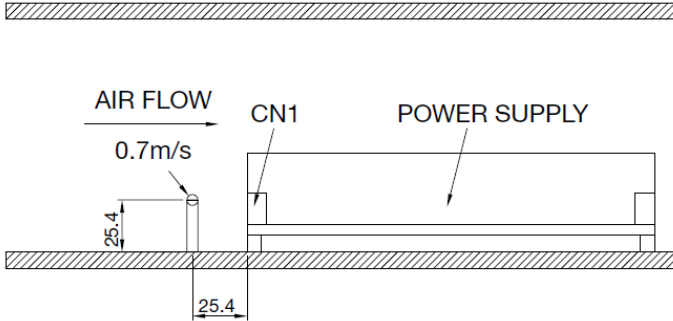
Fig. 1.2 De-rating for Mounting Orientation A to F  
 > 40°C de-rate power by 2.5% / °C

# PJ Open Frame Power Supply

## 5V 15W 1 Phase / PJ-5V15W□NA

### Forced Cooling (Air Velocity > 0.7m/s)

■ Air Flow Direction



■ Open Frame / L Frame

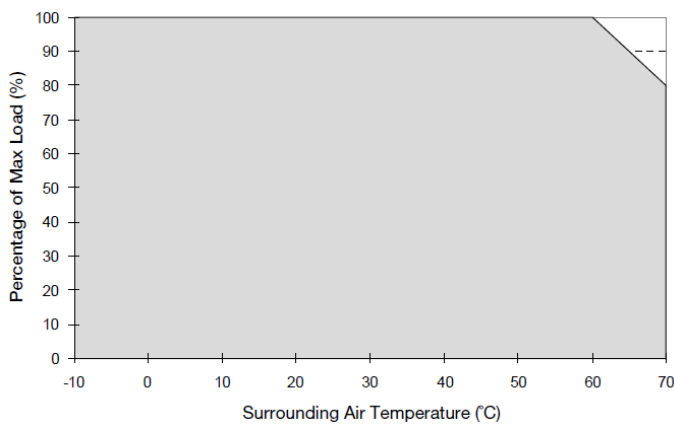


Fig.1.3 De-rating for Mounting Orientation A to F  
> 60°C de-rate power by 2% / °C

■ Enclosed

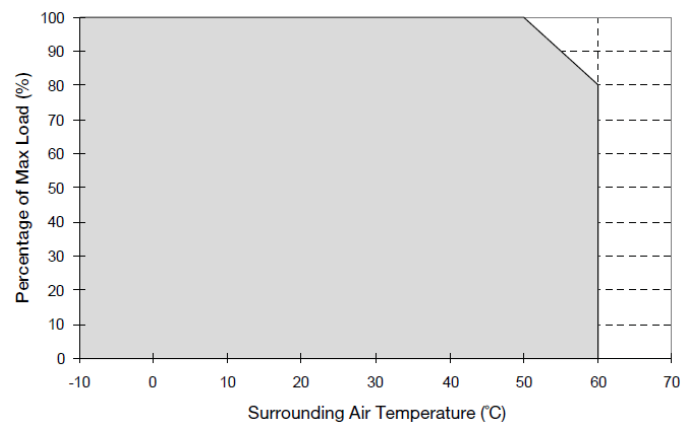


Fig.1.4 De-rating for Mounting Orientation A to F  
> 50°C de-rate power by 2% / °C

### Notes

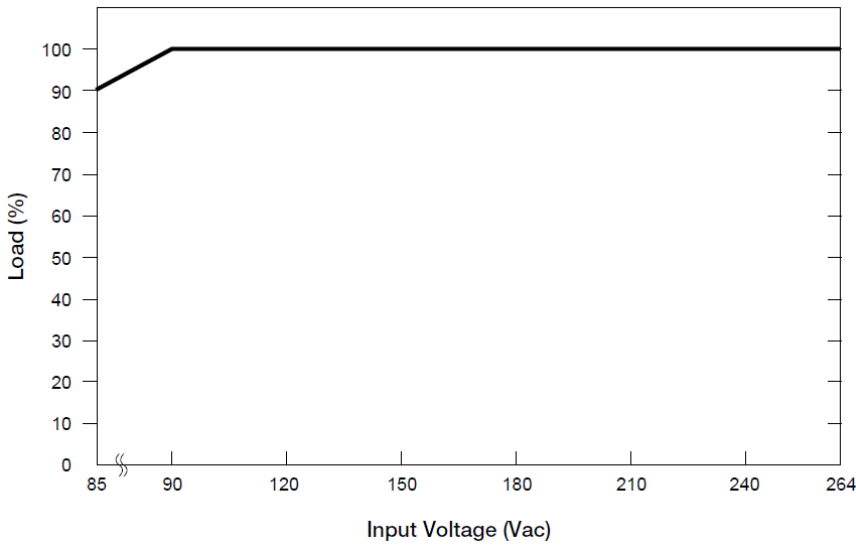
1. Power supply components may degrade, or be damaged, when the power supply is continuously used outside the shaded region, refer to the graphs shown above.
2. If the output capacity is not reduced when the surrounding air temperature is more than the upper limit temperature, the device will run into Over Temperature Protection. When activated, the output voltage will go into bouncing mode and will recover when the surrounding air temperature is lowered or the load is reduced as far as necessary to keep the device in working condition.
3. Depending on the surrounding air temperature and output load delivered by the power supply, the device housing can be very hot!
4. If the device has to be mounted in any other orientation, please do not hesitate to contact [info@deltapsu.com](mailto:info@deltapsu.com) for more details.



# PJ Open Frame Power Supply

## 5V 15W 1 Phase / PJ-5V15W□NA

### Output De-rating VS. Input Voltage



■ No output power de-rating for the input voltage range from 90Vac to 264Vac

### Functions

#### Start-up Time

The time required for the output voltage to reach 90% of its final steady state set value, after the input voltage is applied.

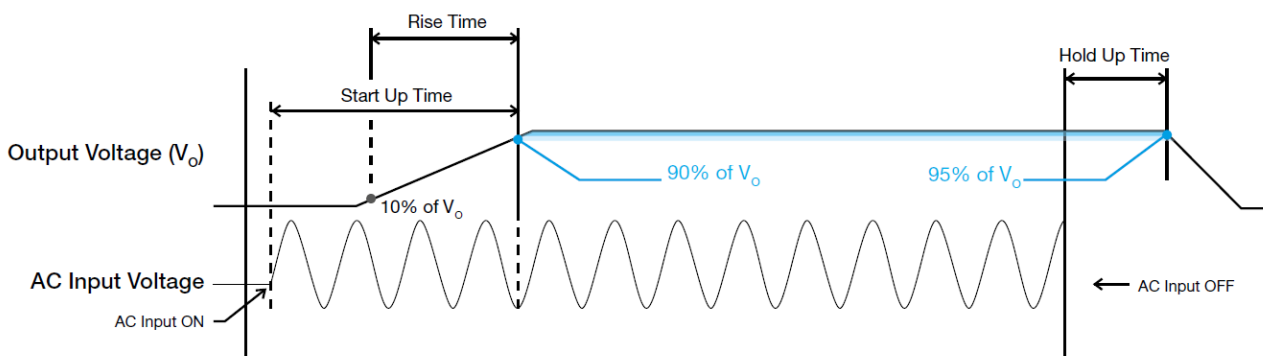
#### Rise Time

The time required for the output voltage to change from 10% to 90% of its final steady state set value.

#### Hold-up Time

Time between the collapse of the AC input voltage, and the output falling to 95% of its steady state set value.

#### ■ Graph illustrating the Start-up Time, Rise Time, and Hold-up Time

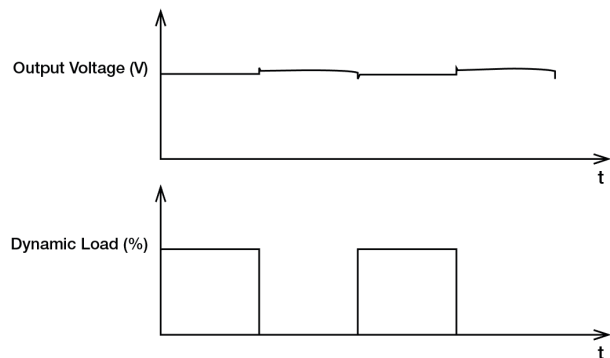


# PJ Open Frame Power Supply

## 5V 15W 1 Phase / PJ-5V15W□NA

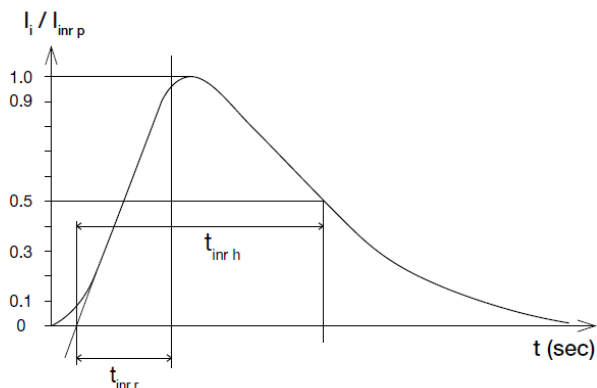
### Dynamic Response

The power supply output voltage will remain within  $\pm 5\%$  of its steady state value, when subjected to a dynamic load from 0 to 50% and 50 to 100% of its rated current.



### Inrush Current

Inrush current is the peak, instantaneous, input current measured and, occurs when the input voltage is first applied. For AC input voltages, the maximum peak value of inrush current will occur during the first half cycle of the applied AC voltage. This peak value decreases exponentially during subsequent cycles of AC voltage.



### Overvoltage Protection

The power supply's overvoltage circuit will be activated when its internal feedback circuit fails. The output voltage shall not exceed its specifications defined on Page 3 under "Protections".

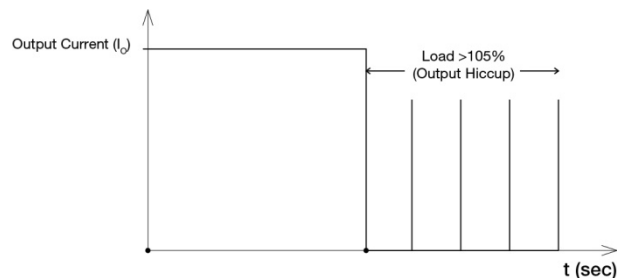
**The power supply should be latch.**

### Short Circuit Protection

The power supply's output OLP/OCP function also provides protection against short circuits. When a short circuit is applied, the output current will operate in "Hiccup mode", as shown in the illustration in the OLP/OCP section on this page. The power supply will return to normal operation after the short circuit is removed.

### Overload & Overcurrent Protections

The power supply's Overload (OLP) and Overcurrent (OCP) Protections will be activated when output current exceeds 105% of  $I_o$  (Max load). In such occurrence, the  $V_o$  will start to droop and once the power supply has reached its maximum power limit, the protection is activated and the power supply will go into "Hiccup mode" (Auto-Recovery). The power supply will recover once the fault condition of the OLP and OCP is removed and  $I_o$  is back within the specifications.



It is not recommended to prolong the duration of  $I_o$  when it is  $<105\%$  but  $>100\%$ , since it may cause damage to the PSU.

### Over Temperature Protection

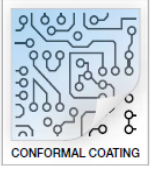
As mentioned above, the power supply also has Over Temperature Protection (OTP). In the event of a higher operating temperature at 100% load, the power supply will run into OTP when the operating temperature is beyond what is recommended in the de-rating graph. When activated, the output voltage will go into latch mode until the mains is reapplied and the temperature drops to its normal operating temperature as recommended in the de-rating graph.

# PJ Open Frame Power Supply

## 5V 15W 1 Phase / PJ-5V15W□NA

### Others

#### Conformal Coating



#### The Protective Coating Technology

Delta Electronics Group has designed the perfect dipping technique which penetrates everywhere including under device, and prevents leakage. The conformal coating dipping can be applied to PCBs or circuit board. The coating preserves the performance of precision electronic primarily by preventing ionizable contaminants such as salt from reaching circuit nodes, where the material slumps around sharp edges. This can be a problem especially in highly conversing atmosphere.

### Attention

Delta provides all information in the datasheets on an "AS IS" basis and does not offer any kind of warranty through the information for using the product. In the event of any discrepancy between the information in the catalog and datasheets, the datasheets shall prevail (please refer to [www.DeltaPSU.com](http://www.DeltaPSU.com) for the latest datasheets information). Delta shall have no liability of indemnification for any claim or action arising from any error for the provided information in the datasheets. Customer shall take its responsibility for evaluation of using the product before placing an order with Delta.

Delta reserves the right to make changes to the information described in the datasheets without notice.